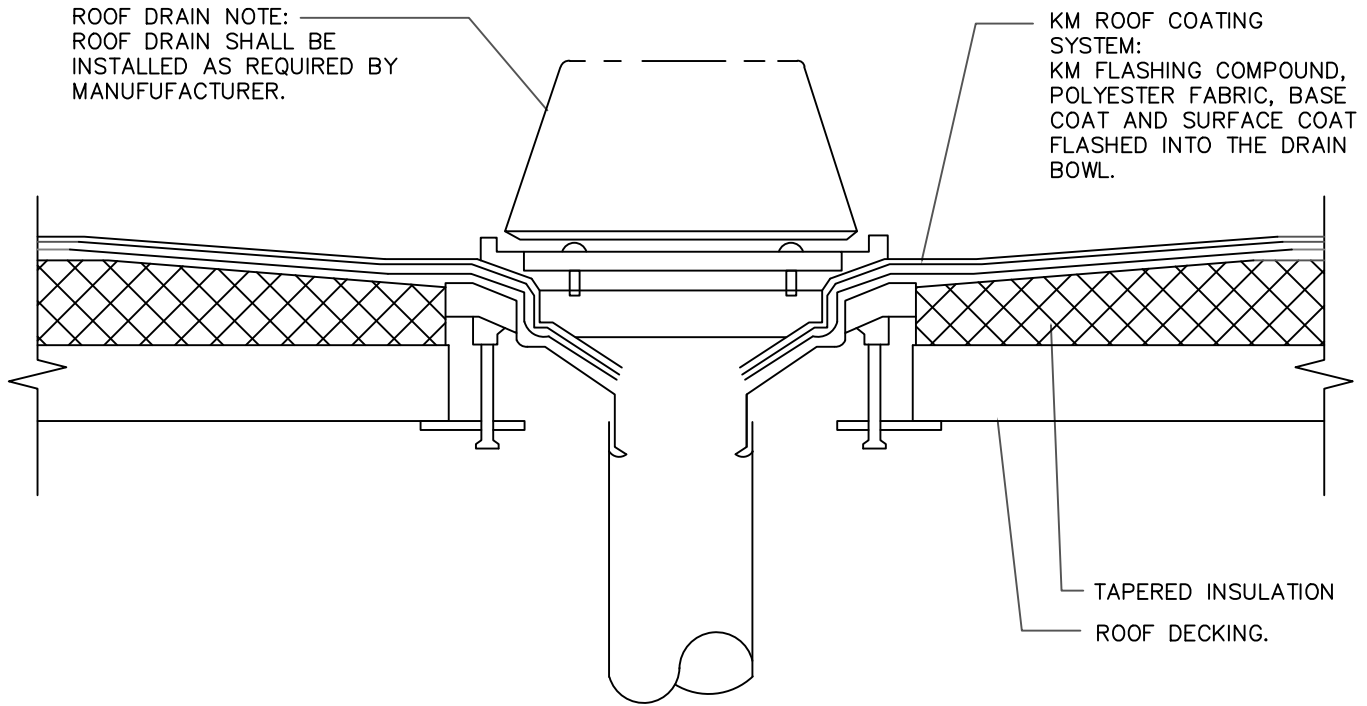


KM COATINGS MFG ROOFING SYSTEM DETAIL



DETAIL KEYNOTES

SURFACE COAT	KM ELASTOMERIC ROOF COATINGS.
BASE COAT	KM ELASTOMERIC ROOF COATINGS. APPLY A MINIMUM OF 2 COATS.
FLASHING COMPOUND	KM FLASHING COMPOUND WHERE REQUIRED. APPLY AT 1/8" THICK AND USE WITH POLYESTER REINFORCEMENT.
POLYESTER	KM REINFORCING POLYESTER.
SURFACE PREPARATION	ALL SURFACES SHALL BE CLEAN, DRY, AND FREE OF ANY DIRT, DUST, GRAVEL, OIL, SURFACE CHEMICALS OR OTHER CONTAMINANTS THAT MAY INTERFERE WITH OPTIMUM ADHESION. KM RECOMMENDS AN ADHESION TEST PRIOR TO COATING APPLICATION. IF ADHESION TEST FAILS, ADDITIONAL CLEANING AND/OR PRIMING MAY BE REQUIRED

STANDARD ROOF
DRAIN DETAIL

NUMBER:

KM-SRD-004

DATE:

NOVEMBER 2016



www.kmcoatings.us