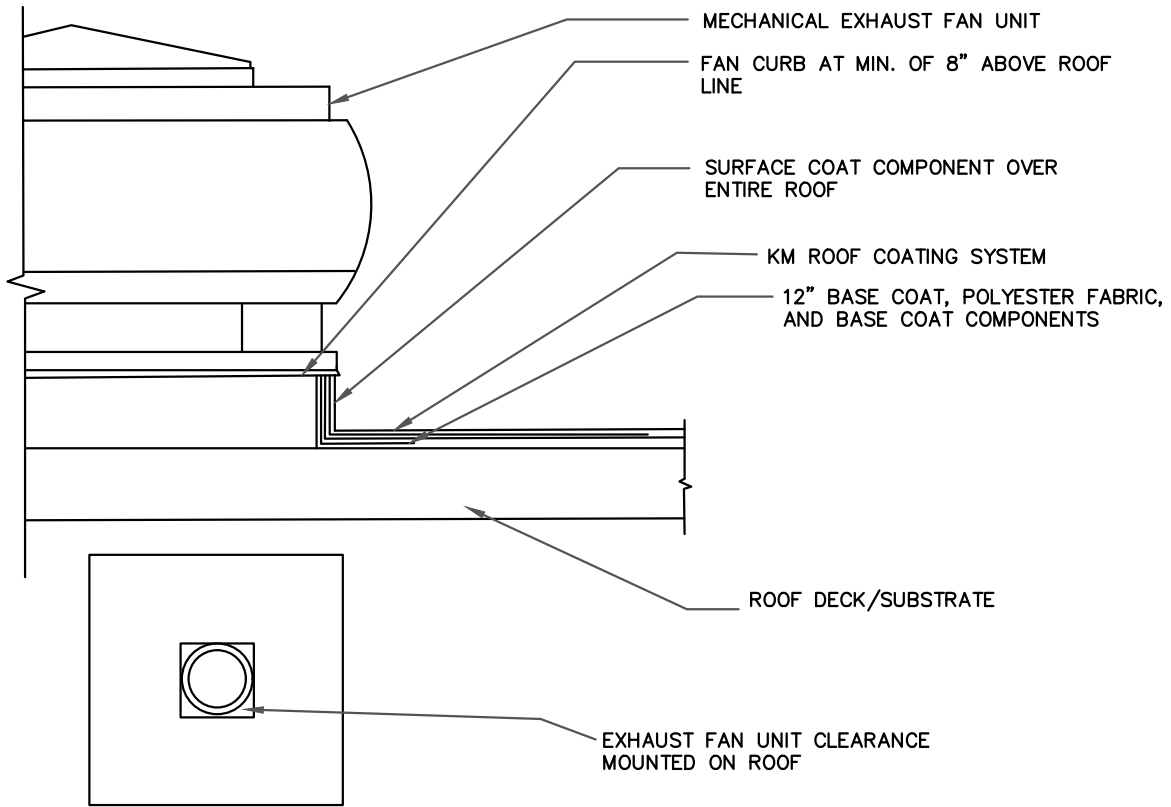


KM COATINGS MFG ROOFING SYSTEM DETAIL



DETAIL KEYNOTES

SURFACE COAT	KM ELASTOMERIC ROOF COATINGS.
BASE COAT	KM ELASTOMERIC ROOF COATINGS.
FLASHING COMPOUND	KM FLASHING COMPOUND AS REQUIRED. APPLY AT 1/8" THICK AND USE WITH POLYESTER REINFORCEMENT.
POLYESTER	KM REINFORCING POLYESTER.
SURFACE PREPARATION	ALL SURFACES SHALL BE CLEAN, DRY, AND FREE OF ANY DIRT, DUST, GRAVEL, OIL, SURFACE CHEMICALS OR OTHER CONTAMINANTS THAT MAY INTERFERE WITH OPTIMUM ADHESION. KM RECOMMENDS AN ADHESION TEST PRIOR TO COATING APPLICATION. IF ADHESION TEST FAILS, ADDITIONAL CLEANING AND/OR PRIMING MAY BE REQUIRED.

TYP. EXHAUST FAN FLASHING DETAIL

NUMBER:

KM-TEF-009F

DATE:

NOVEMBER 2016



www.kmcoatings.us